

Couvercle P31 CO 50 à 300  
Cover for tray P31 L3m 50 to 300

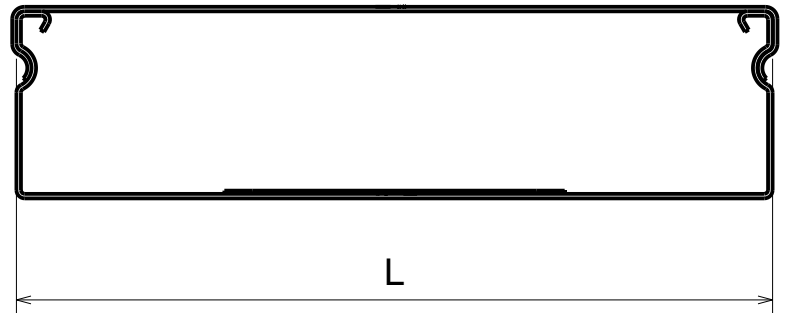
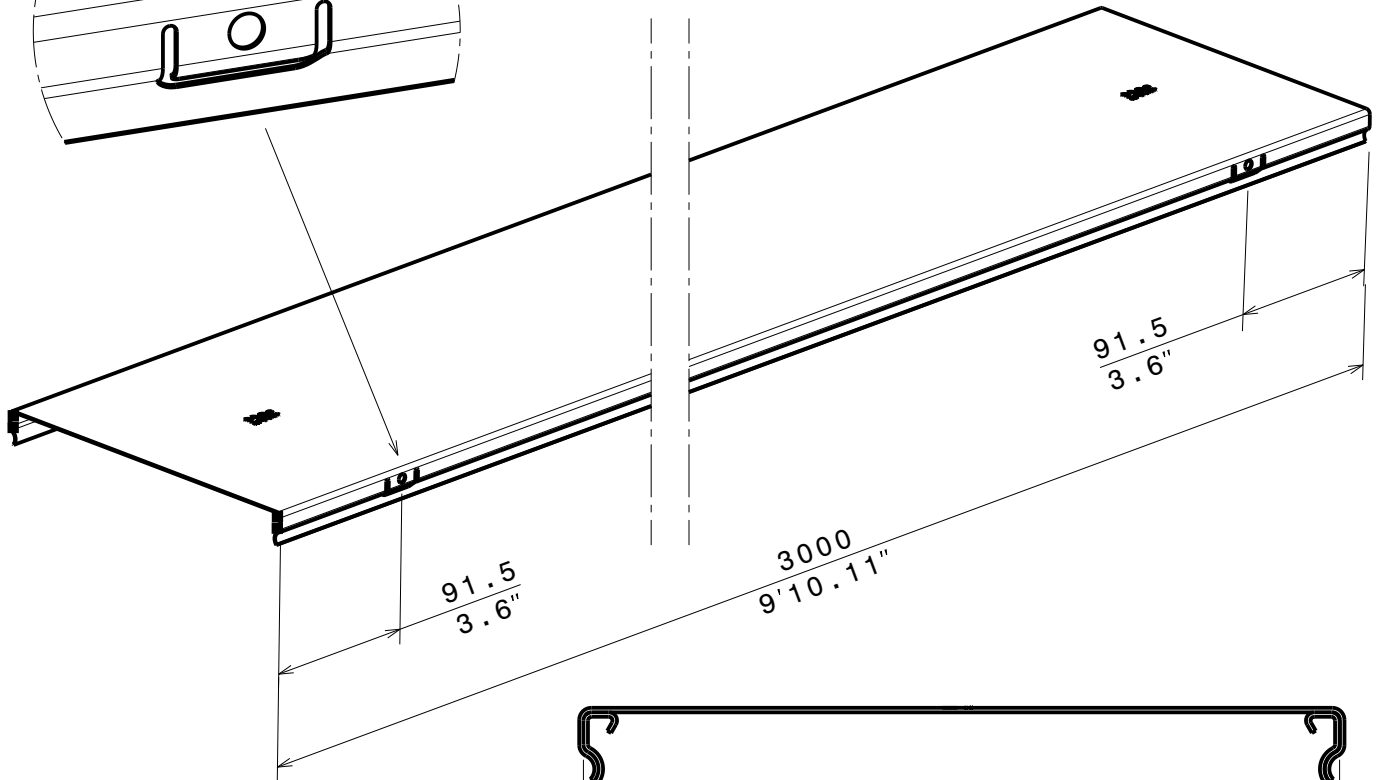
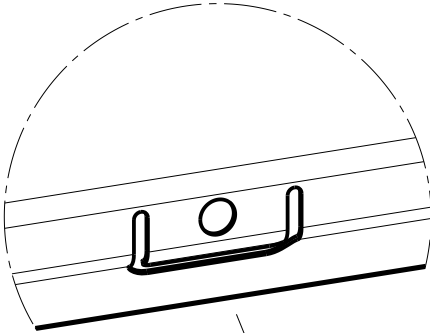
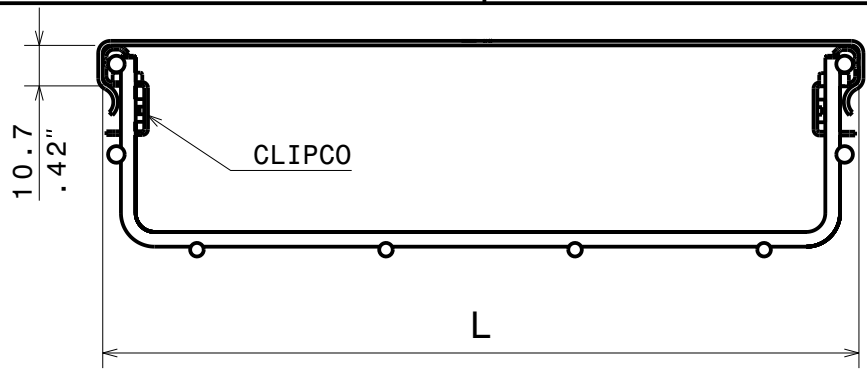
GC  
HDG

**CABLOFIL®**

INNOVATORS IN CABLE MANAGEMENT

FT0520-3

11 13



REF	CODE	POIDS / WEIGHT		L / L		EP. / TH.	
		(Kg/m)	(lb/ft)	(mm)	(inch)	(mm)	(inch)
P31 CO 50	342 169	0.400	0.267	50	(1.969")	0.5	(0.020")
P31 CO 75	342 170	0.500	0.336	75	(2.952")	0.5	(0.020")
P31 CO 100	342 171	0.600	0.404	100	(3.937")	0.5	(0.020")
P31 CO 150	342 172	0.810	0.543	150	(5.906")	0.5	(0.020")
P31 CO 200	342 152	1.010	0.680	200	(7.874")	0.5	(0.020")
P31 CO 300	342 153	1.720	1.157	300	(11.811")	0.5	(0.020")

NORMES/STANDARD

MATIERE / MATIERAL  
S 235 JR  
PROTECTION / COATING  
GC / HDG

EN 10 025-2  
Class 6 according  
to CEI 61537