

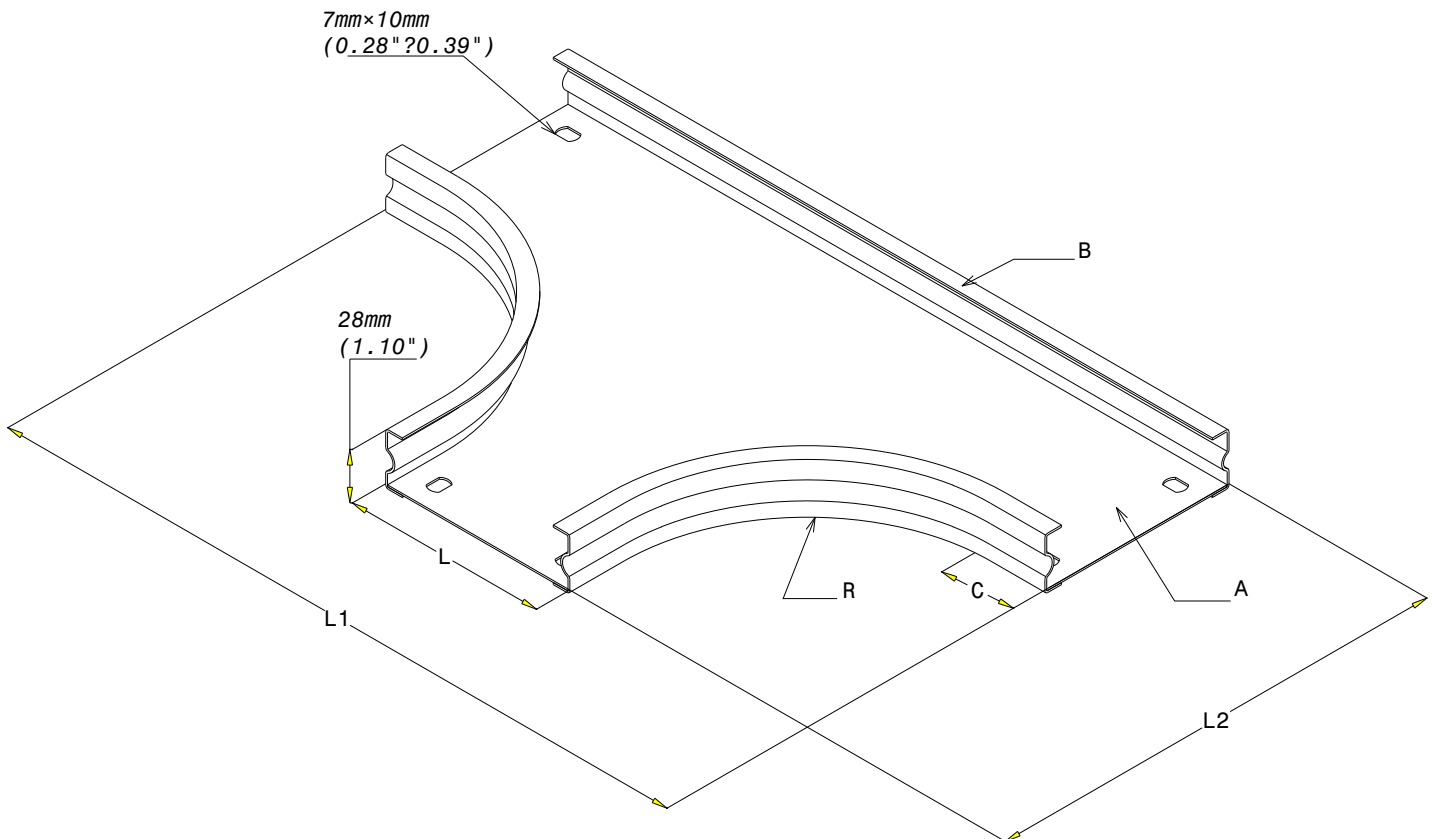
TE P31 T H25 50 à 500
T-PIECE P31 25x50 to 500

GC
HDG

CABLOFIL®
INNOVATORS IN CABLE MANAGEMENT

FT0589-0

06 18



REF	CODE	L (mm)	/L (inch)	A (mm)	/A (inch)	B (mm)	/B (inch)	C (mm)	/C (inch)	R (mm)	/R (inch)	L1 (mm)	/L1 (inch)	L2 (mm)	/L2 (inch)
P31 T 25x50	343 095	50	(1.97")	0.8	0.032"	1	0.039"	30	(1.18")	20	(1.78")	148	(5.83")	99	(3.90")
P31 T 25x75	343 096	75	(2.92")	0.8	0.032"	1	0.039"	30	(1.18")	100	(3.94")	333	(13.11")	204	(8.03")
P31 T 25x100	343 097	100	(3.94")	0.8	0.032"	1	0.039"	30	(1.18")	100	(3.94")	358	(14.11")	229	(9.02")
P31 T 25x150	343 098	150	(5.91")	0.8	0.032"	1	0.039"	30	(1.18")	100	(3.94")	408	(16.08")	279	(10.99")
P31 T 25x200	343 099	200	(7.87")	0.8	0.032"	1	0.039"	30	(1.18")	100	(3.94")	458	(18.05")	329	(12.96")
P31 T 25x300	343 100	300	(11.81")	1	0.039"	1	0.039"	30	(1.18")	100	(3.94")	558	(21.99")	429	(16.90")
P31 T 25x400	343 101	400	(15.75")	1	0.039"	1	0.039"	50	(1.97")	150	(5.91")	798	(31.44")	599	(23.60")
P31 T 25x500	343 102	500	(19.69")	1	0.039"	1	0.039"	50	(1.97")	150	(5.91")	898	(35.38")	699	(27.54")

NORMES
STANDARD

MATIERE / MATERIA
DC01

EN 10 130

PROTECTION / COATING
HDG

ISO 1461

Propriété exclusive de LEGRAND, ne peut être ni copié, ni transmis à des tiers sans autorisation écrite.

Exclusive property of LEGRAND shouldn't be reproduced or transmitted to any people

without written authorization

Propriété exclusive de LEGRAND, ne peut être ni copié, ni transmis à des tiers sans autorisation écrite

Exclusive property of LEGRAND shouldn't be reproduced or transmitted to any people

without written authorization