

CHT PL CONV P31 OR H100 100 à 600
 OUTSIDE RISER P31 100x100 to 600

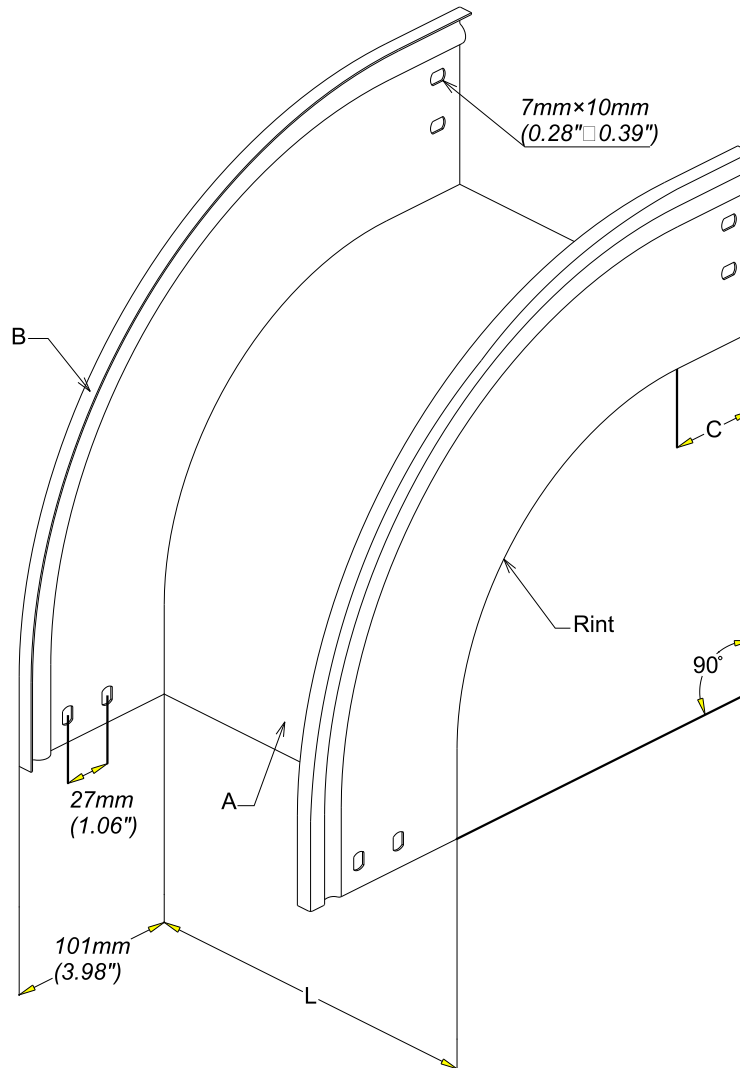
GC
 HDG



CABLE
 MANAGEMENT

FT0608-3

10 16



REF	CODE	L /L (mm) (inch)	A /A (mm) (inch)	B /B (mm) (inch)	C /C (mm) (inch)	R /R (mm) (inch)
P31 OR 100x100	343 054	100 (3.94")	0.8 (0.032")	1 (0.039")	30 (1.18")	150 (5.91")
P31 OR 100x150	343 055	150 (5.91")	0.8 (0.032")	1 (0.039")	30 (1.18")	150 (5.91")
P31 OR 100x200	343 056	200 (5.91")	0.8 (0.032")	1 (0.039")	30 (1.18")	150 (5.91")
P31 OR 100x300	343 057	300 (7.87")	1 (0.039")	1 (0.039")	30 (1.18")	150 (5.91")
P31 OR 100x400	343 058	400 (11.81")	1 (0.039")	1 (0.039")	50 (1.97")	150 (5.91")
P31 OR 100x500	343 059	500 (19.69")	1 (0.039")	1 (0.039")	50 (1.97")	150 (5.91")
P31 OR 100x600	350 523	600 (23.62")	1 (0.039")	1 (0.039")	50 (1.97")	150 (5.91")

Material	Standard	Finishes	Standard
S235 JR	EN 10130	HDG	Class 6 according to CEI 61537

Propriété exclusive de LEGRAND, ne peut être ni copié, ni transmis à des tiers sans autorisation écrite.
 Exclusive property of LEGRAND shouldn't be reproduced or transmitted to any people without written authorization